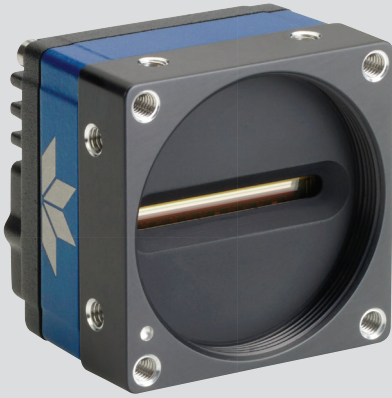


## Linea™ Lite

### Line Scan Cameras



#### Key Features

- » Multiple regions of interest for calibration and data reduction
- » 4 programmable coefficient sets
- » Programmable I/Os
- » Compact form factor
- » Precision Time Protocol
- » TurboDrive
- » GigE, PoE

#### Typical Applications

- » Automated optical inspection
- » Battery inspection
- » Optical sorting systems
- » Food packaging
- » Film and textile
- » Wood inspection
- » Printed materials inspection
- » Materials grading and inspection
- » Web inspection
- » General purpose machine vision

## GigE Mono Line Scan Cameras

Compact and cost effective, Linea Lite cameras make line scan more accessible than ever. This multi-resolution line scan series offers multi line monochrome performance at 4k resolution with line rates of up to 25 kHz, or 2k resolution and line rates up to 50 kHz with a GigE Vision® interface.

No matter your application, we made Linea Lite flexible enough to handle a wide variety of tasks, with features to help you detect what's critical.

- High sensitivity mode to see weaker signals.
- Enhanced SNR mode to handle the brightest light sources and discern details in the brightest region of your images.
- HDR mode to simultaneously resolve bright and dark features.
- Precision Time Protocol (PTP) and Power over Ethernet (PoE) to run all of this power through a single cable.

And all of this fits neatly in a package optimized for Size, Weight, Power, and Cost (SWaP-C).

**Visit our website to learn more about the Linea Lite series of cameras, or contact your local sales manager. We look forward to hearing from you.**

#### Specifications

Part Number	L2-GM-02K05B-00-A	L2-GM-04K02B-00-A
Resolution	2048 pixels	4096 pixels
Line Rate	50 kHz	25 kHz
Pixel Size	14 µm	7 µm
Interface	GigE	
Data Format	8 or 12 bit	
Dynamic Range (dB)	72	
Full Well (ke-)	30	
Read Noise (e-)	8.5	
Power	+12 to +24V DC HD15 Connector or 48V POE	
Power Dissipation	<5 W	
Operating Temp	-10 to 65°C	
Camera Size	46 x 46 x 37 mm	
Camera Weight	111 g	
Optical Interface	M42	
Control & Data	GigE	

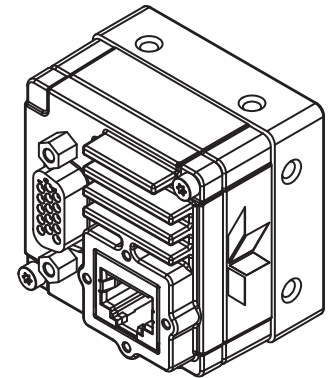
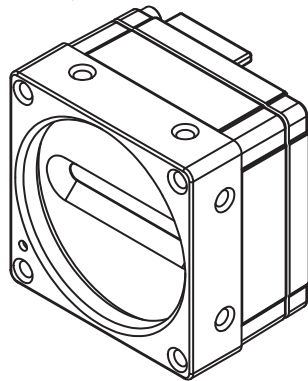
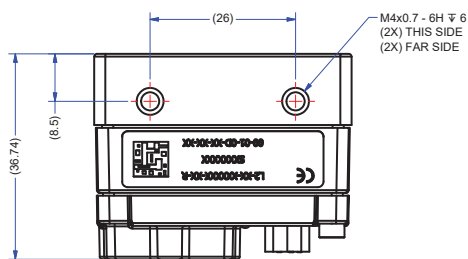
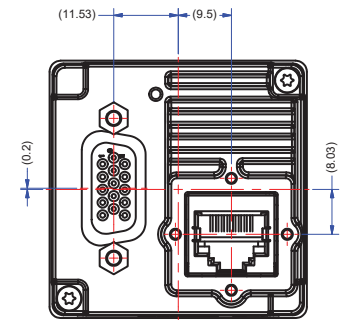
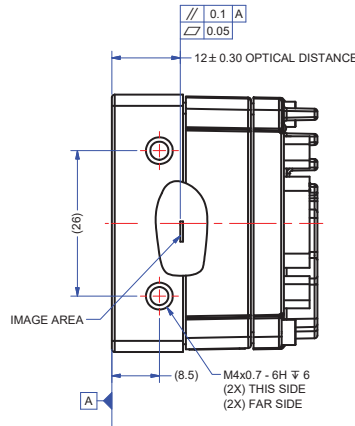
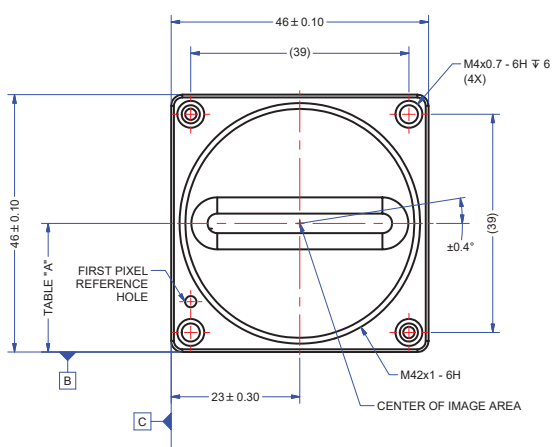
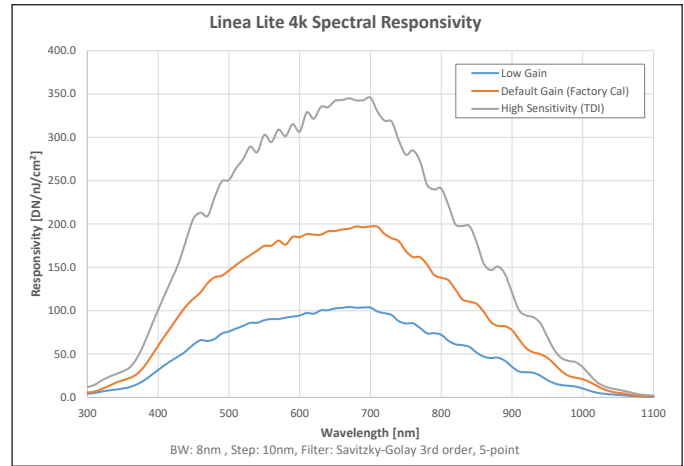
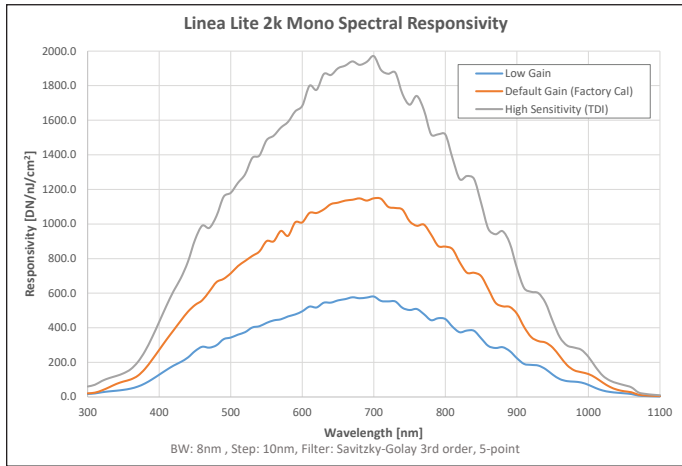
**SPECIFICATIONS**


TABLE A	
CAMERA P/N	DIMENSION
L2-XX-02KXXX-	$23.2 \pm 0.30$
L2-XX-04KXXX-	$23.0 \pm 0.30$

NOTES:  
 1. UNITS: MILLIMETERS.  
 2. IMAGE AREA IS ALIGNED TO DATUMS A, B & C

**Americas** Boston, USA | +1 978-670-2000 | TDI\_sales.americas@teledynedalsa.com  
**Europe** Krailing, Germany | +49 89-89-54-57-3-80 | TDI\_sales.europe@teledynedalsa.com  
**Asia Pacific** Tokyo, Japan | +81 3-5960-6353 | TDI\_sales.asia@teledynedalsa.com  
 Shanghai, China | +86 21-3368-0027 | TDI\_sales.asia@teledynedalsa.com